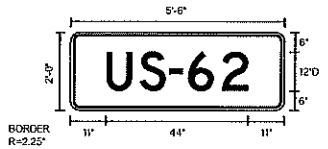
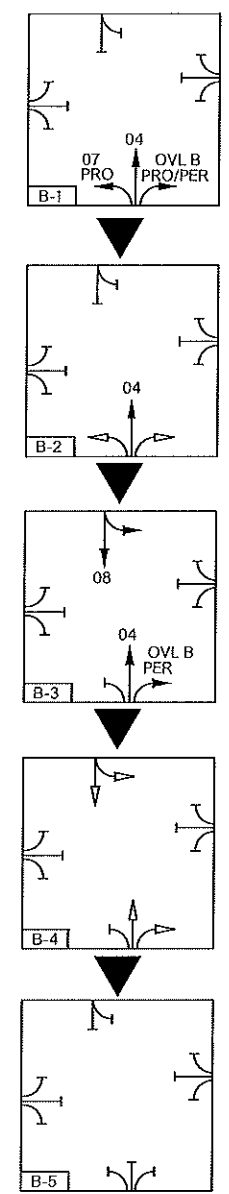
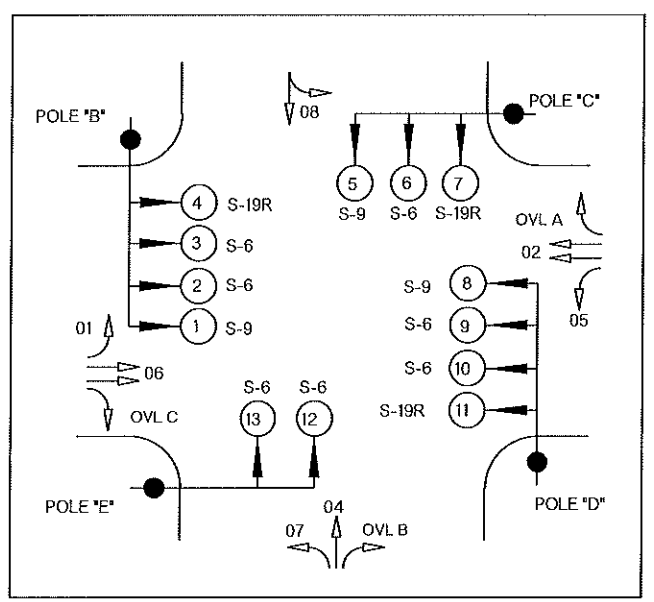
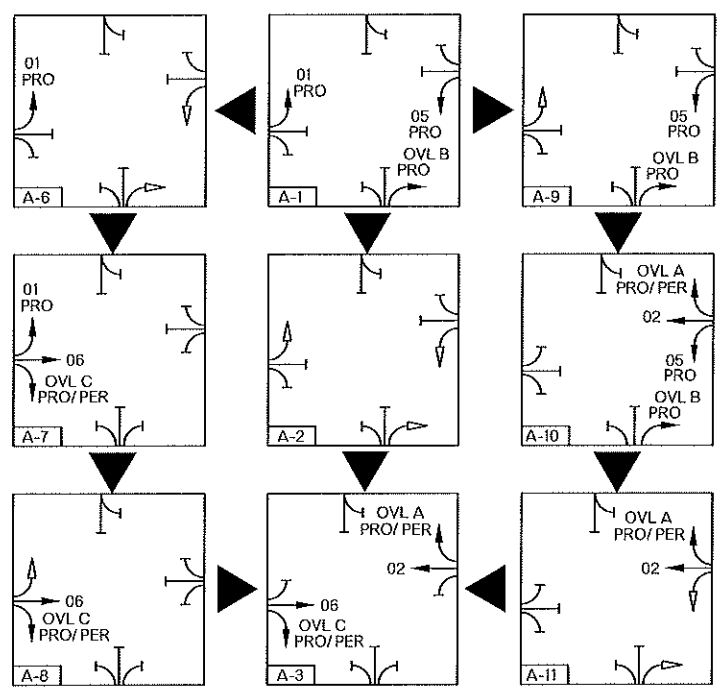


REV. NO.	DESCRIPTION	REVISOR	DATE

US-62

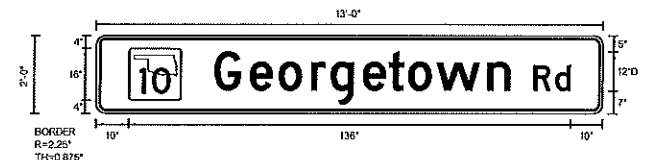
SH-10 / GEORGETOWN ROAD



SIGN NUMBER	US-62
WIDTH x HGT.	5'-6" x 2'-0"
BORDER WIDTH	0.875"
CORNER RADIUS	2.25"
MOUNTING	Overhead
SIGN AREA	11.0 Sq.Ft.
BACKGROUND	TYPE: Reflective COLOR: Green
LEGEND/BORDER	TYPE: Reflective COLOR: White

Dimensions are in inches tenths  
Letter locations are panel edge to lower left corner

LETTER POSITIONS (X)													LENGTH	SERIES/SIZE
U	S	-	6	2									D 2000	
11	21.3	30.4	36.2	46.8									44	



SIGN NUMBER	SH-10/GEORGETOWN RD
WIDTH x HGT.	13'-0" x 2'-0"
BORDER WIDTH	0.875"
CORNER RADIUS	2.25"
MOUNTING	Overhead
SIGN AREA	28.0 Sq.Ft.
BACKGROUND	TYPE: Reflective COLOR: Green
LEGEND/BORDER	TYPE: Reflective COLOR: White

Dimensions are in inches tenths  
Letter locations are panel edge to lower left corner

LETTER POSITIONS (X)													LENGTH	SERIES/SIZE
G	e	o	r	g	e	t	o	w	n	R	d		D 2000	
36.1	47.1	55.9	66	72	82	90	96	104.7	120.4	127.5	134.5	141.2	109.9	

BLOCK NO.	PHASE DESIGNATION	SIGNAL HEAD NUMBER												
		1	2	3	4	5	6	7	8	9	10	11	12	13
A-1	01, 05, & OVL B ROW	G	R	R	R	R	R	G	G	R	R	R	R	R
A-2	01, 05, & OVL B CL	Y	R	R	R	R	R	Y	Y	R	R	R	R	R
A-3	02, 06, OVL A & C ROW	R	G	G	9/6	R	R	R	R	G	G	9/6	R	R
A-4	02, 06, OVL A & C CL	R	Y	Y	Y	R	R	R	R	Y	Y	Y	R	R
A-5	ALL RED	R	R	R	R	R	R	R	R	R	R	R	R	R
A-6	01 ROW, 05 & OVL B CL	Y	R	R	R	R	R	Y	G	R	R	R	R	R
A-7	01, 06 & OVL C ROW	R	R	R	R	R	R	R	G	G	G	9/6	R	R
A-8	01 CL, 06 & OVL C ROW	R	R	R	R	R	R	G	Y	G	G	9/6	R	R
A-9	01 CL, 05 & OVL B ROW	G	R	R	R	R	R	G	Y	R	R	R	R	R
A-10	02, 05, OVL A & B ROW	G	G	G	9/6	R	R	G	R	R	R	R	R	R
A-11	02 & OVL A ROW, 05 & OVL B CL	Y	G	G	9/6	R	R	Y	R	R	R	R	R	R
B-1	04, 07 & OVL B ROW	R	R	R	R	G	G	9/6	R	R	R	R	R	R
B-2	04 ROW, 07 & OVL B CL	R	R	R	R	Y	G	9/6	R	R	R	R	R	R
B-3	04, 08 & OVL B PER ROW	R	R	R	R	R	G	G	R	R	R	R	G	G
B-4	04, 08 & OVL B CL PER CL	R	R	R	R	R	Y	Y	R	R	R	R	Y	Y
B-5	ALL RED	R	R	R	R	R	R	R	R	R	R	R	R	R
	FLASHING RED	FR	FR	FR	FR	FR	FR	FR	FR	FR	FR	FR	FR	FR

TO B-1, B-3, A-1, A-3, A-7, OR A-10

TO A-1, A-3, A-7, A-10, B-1 OR B-3

LEGEND	
←	GREEN
↔	YELLOW
—	RED
PER	— PERMISSIVE
PRO	— PROTECTED

SUMMARY OF STREET NAME SIGNS						
LEGEND	POLE LOCATION	NO. OF SIGN	LENGTH	HEIGHT	SIGN AREA (SQ.FT.)	TOTAL AREA (SQ.FT.)
US-62	C,E	2	66"	24"	11.00	22.00
SH-10 / Georgetown Rd	B,D	2	156"	24"	26.00	44.00
R10-10L	B,D	2	24"	30"	5.00	10.00
					TOTAL	76.00

<p>PHASE &amp; SEQUENCE US-62 &amp; SH-10 / GEORGETOWN ROAD</p>		Design	RGN	2/16
		Drawn	RGN	2/16
<p>STATE OF OKLAHOMA</p>		Checked	JLS	2/16
		Traffic Engineering JAMI SHORT		
<p>DEPARTMENT OF TRANSPORTATION</p>		DIVISION	STATE JOB NO.	2795604
		SHEET NO. 7		